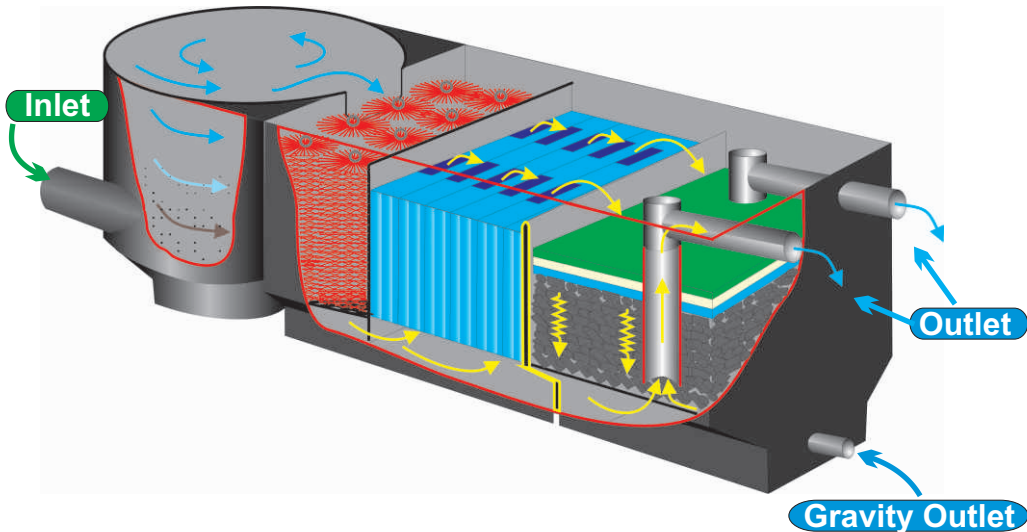


## Replacement Parts

Your filter has been designed using tried and tested media. For optimum performance we recommend that you use only **Genuine Oasis Replacement Media.** (Ask your retailer).

- 1). **Brushes** - Only replace when necessary.(2 - 3 Years)
- 2). **Bio Cartridge** - Only replace when necessary.(2 - 3 Years)
- 3). **The Foam Set** should be replaced yearly (ideally in February or March before the start of the season).
- 4). **The Flocor™ Media** is hard wearing and will last several years before you need to replace it.



### Guarantee

Your Vortec™ filter is guaranteed against failure due to defective workmanship or materials for a period of 12 months from the date of purchase. Failure caused by accidental damage, misuse, neglect or used in liquids other than cold water are excluded from this guarantee. If a failure occurs during this period, a purchase receipt must be produced. The unit will be either repaired or replaced at the companies option. The company cannot accept any additional claims for consequential losses. All "wear and tear" items are excluded from this guarantee i.e. Filter Media, UV Lamp, Quartz Tubes and O Rings. This guarantee does not affect your statutory rights.

This unit is manufactured  
in the EEC and conforms to CE  
Regulations

Oasis Water Garden Products Ltd.  
Eastleigh,  
United Kingdom.

### Dealers Stamp:-



# VORTEC™ FILTER Instructions

Thank you for purchasing the Oasis Vortec™ Filter. Please read carefully the following installation and maintenance instructions and retain for future reference.

### Filtration

Whether you are a beginner or experienced water gardener, you will probably have one objective and that is to achieve a clean, clear healthy pond. Ponds can be affected by various factors such as unconsumed fish food, decomposing vegetation and fish excrement. If these pollutants are allowed to accumulate, in time they will become harmful to your fish. The use of a biological filter will remove these toxins (nitrite, ammonia) and provide good quality water with the additional benefit of reducing algae growth.

### Example of Pump feed System

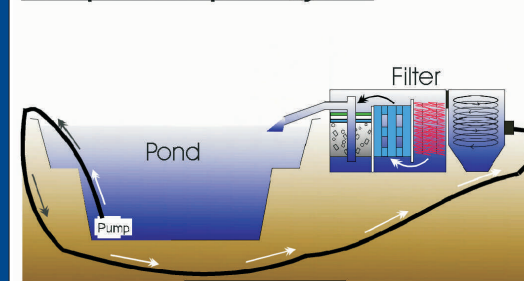


Diagram 1

### Installation:- Pump Feed

The Vortec range of filters are top out systems e.g. the water enters the filter and passes through the filter, returning to the pond from the top of the filter.

This means that you can bury the filter into the ground to the height of the outlet pipes, ensuring the returning pipes are above the water surface of the pond. The filter must be sited on a firm level base and as close to the pond as possible. From the outlet of the pump sited in the pond attach a suitable

length of hose (1", 1 1/4", or 1 1/2" dia:) using hose clips, and attach the other end to the multistage hosetail inlet of the filter (cutting the hosetail to the required size). From the outlets of the filter fit suitable diameter pipework (available from your supplier) to return the filtered water to the pond/waterfall. (Please note that all of the connections and pipework used from the outlets of the filter must have a gentle decline down to the pond, as water will not naturally flow uphill. Again the outlet from these pipes must be above the water surface). Once installed switch on the pump and monitor the water entering the filter system. If too much water is being pumped through the filter and water is exiting through overflow pipes situated in the last chamber of the filter, then adjust the flow rate of the pump until the water level drops below the overflows and remains at a constant level.



**Important! Plastic fittings have been tightened to a "Factory Setting", however in the course of transit and retail display, some fittings may require further tightening.**



**Your filter may take 3 - 6 weeks to fully mature with beneficial bacteria, however you can prematurely speed this process up by using Oasis Filter Active (Ask your retailer)**

On gravity feed models the pump is situated either within the last chamber of the filter or externally using a surface pump. The filter will work exactly the same way as the pumped version except the water is pulled through the filter instead of being pushed through. See *diagram 2*.

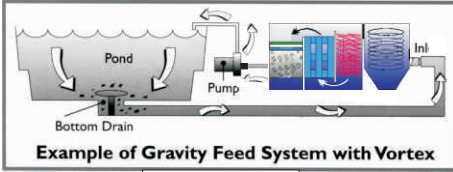


Diagram 2

The filter will need to be buried in the ground along side the pond so that the normal water level within the pond is above the top of the lowest outlet but is below the top of the highest baffle. See *diagram 3*

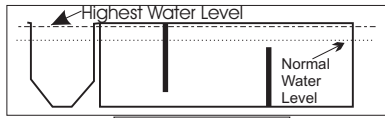


Diagram 3

**Take care to ensure that when the water level in the pond is at it's highest, this will not over fill the filter.**

Please note both gravity and pump feed models if fitted with the optional Slide Valve to waste assembly will need to have accessibility to the Valve for drainage. The outlet from this should be drained out to a soak away or a suitable drainage outlet.

**Maintenance:-**

There is no set time to carry out maintenance and cleaning of the filter because every pond is unique. Some ponds have more fish and plants than others so maintenance is variable depending on your pond and conditions. The sediment build up in the vortex chamber should be periodically flushed away. Open slide valve until removed. The Brushes in the first chamber (Models 3 & 4 - Second) should be kept reasonably clear from any heavy debris. These should be removed and washed in a container of pond water. If the Bio media in the filter seems clogged, then remove the media and rinse in a container of pond water. **DO NOT CLEAN THOROUGHLY JUST ENOUGH TO CLEAN OFF ANY LARGE SOLIDS.** Never allow media to become dry.

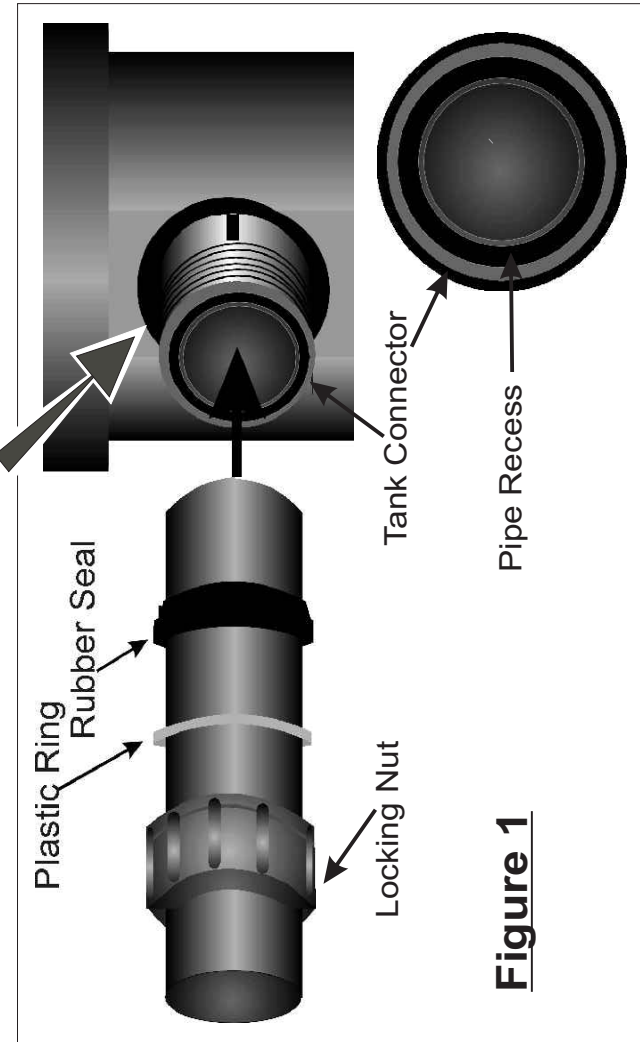
- The last chamber contains the Foam Set. This will need to be checked periodically for a build up of waste. When water runs into the overflow on the outlet, it is an indication the foams have become clogged and will require flushing through using pond water. It is best if the foams are removed and cleaned separately over a period of a week, e.g. The first foam remove, clean and re-install on day 1. The second foam clean and re-install on day 4 and the third foam on day 7. This way you will not disturb the balance of the beneficial bacteria.
- After carrying out the maintenance work on the filter and also at regular periods, open the slide valve to remove the sediment that will build up on the base of the filter or within the vortex.
- On Gravity systems switch off the pump before opening the slide valve and top up the pond to the required level before switching the pump back on.
- Spare brushes, foams and bio media are available from your local stockist. It is advisable to replace or renew before March. For maximum efficiency use only genuine Oasis parts.
- If replacing the Media, it is best to only change 50% of the material at any given time.

**IMPORTANT** If the filter is not in use and there is a danger of freezing during the winter months, then the filter must be drained out completely.

**Fitting a UV:-**

We recommend you fit a UV to your system. In a pumped version - cut the hose between the pump and the filter and install the UV unit in between. In a gravity feed version, install the UV after the pump.

**ATTENTION:** If necessary tighten tank connectors using stilsons, large mole grips or an other suitable tool.



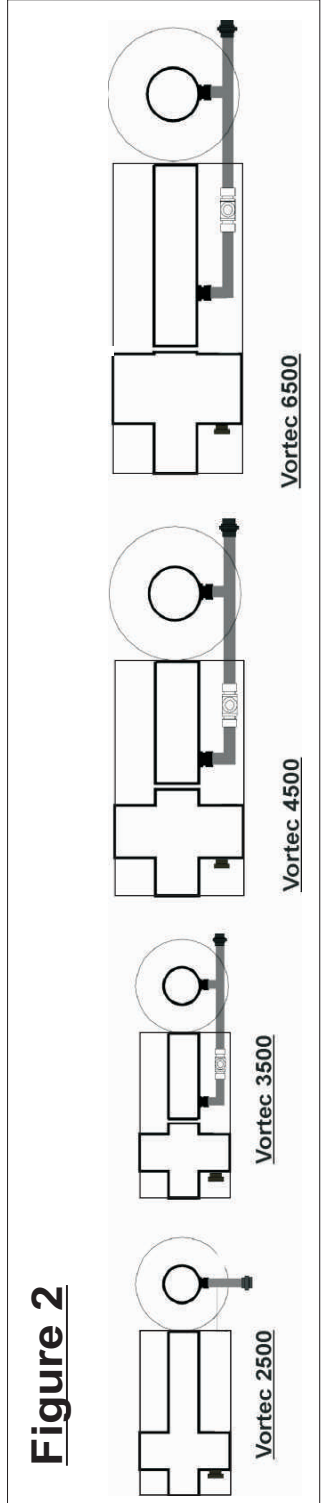
**Figure 1**

**Vortec™ Filter**  
Slide Valve Assembly Instructions

**Important Instructions before use..**

- 1). Site Filter on firm level base .
- 2). Attach the pipe work for the optional slide valve assembly kit as shown in the diagrams on this page.
- 3). Tighten the locking nut on the filter/slide valve assembly and when filling check for leakage.

Please note:- On filters, Vortec 3500, Vortec 4500 and Vortec 6500, it is not necessary to fit the slide valve assembly to the last chamber of the Filter. However a drainage plug is supplied on the filter if you wish to drain the unit completely for maintenance. See diagrams Fig 2



**Figure 2**