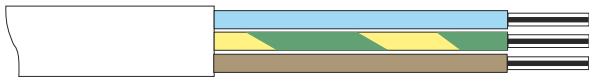


# LOTUS Maximus EVO Pump Instructions

Please Keep Instructions for Future Reference.

## ELECTRICAL CONNECTIONS



NEUTRAL = BLUE N  
EARTH = GREEN & YELLOW  
LIVE = BROWN L

The pump comes complete with 10 mtrs of 3 core cable, however, should any additional cable be required then the use of an approved waterproof cable connector is essential.

- The power supply must be protected by a residue circuit device (RCD), earthed and fused at 3 amps.
- Regularly inspect the cable for damage and deterioration
- For permanent installation to the mains supply, it is necessary to comply with the regulations of the Local Electricity Authority.
- Consult a qualified electrician if in doubt about any aspects of wiring.

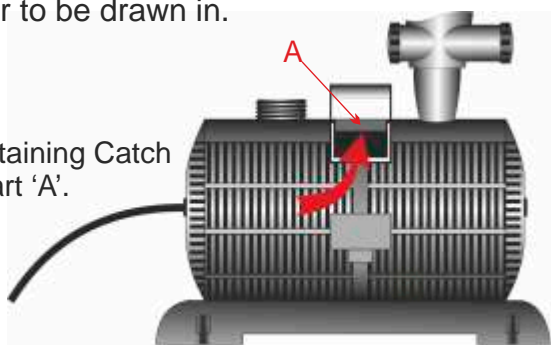
## SAFETY

- You must disconnect the mains electricity supply before attempting any installation/maintenance or handling of any kind.
- The pump should never be run dry as this will cause the unit to overheat and damage it.
- Do not attempt to modify this unit in any way and only use the recommended parts for replacement.
- Do not place in liquids other than water.
- All connections must be Earthed.
- Do not connect to any voltage other than that stated on the pump.
- Do not use in water above 90°f / 30°C.

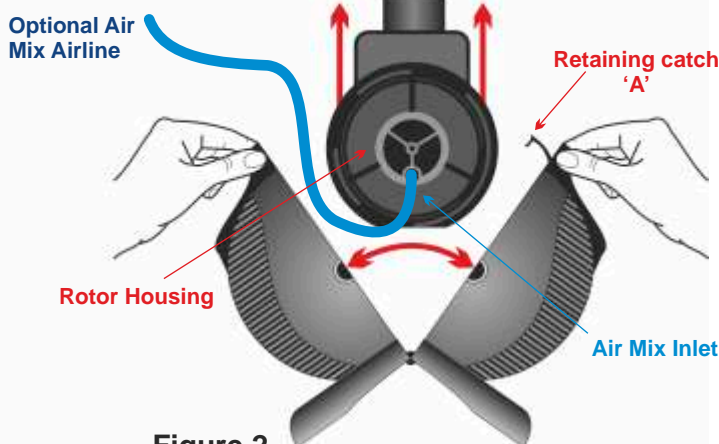
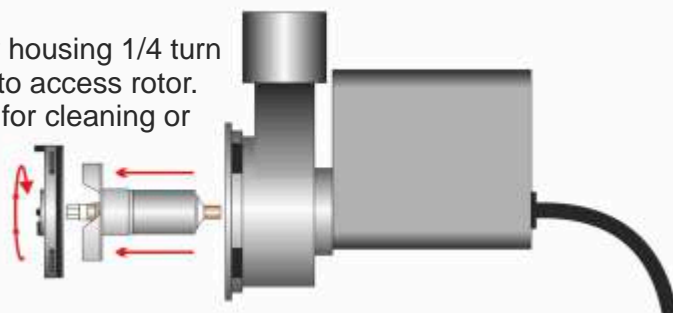
## INSTALLATION

The pump should be sited on a firm base, raised from the bottom of the pond. Connect a suitable length and diameter of hose pipe. If using the optional Air Mix system, ensure the air line is attached to the front of the rotor housing leading through the front of the cage, and the other end is secured out of the water allowing air to be drawn in.

**Figure 1.**  
Release retaining Catch by lifting part 'A'.



**Figure 3.**  
Twist the rotor housing 1/4 turn anticlockwise to access rotor. Remove rotor for cleaning or inspection. Please clean if dirty or replace if damaged.



**Figure 2.**  
Pull pump cage apart as shown in diagram and remove pump - Please note notch for cable in cage for relocating the cable during re-assembly. Make sure Catch 'A' is not pushed all the way to the top as this will interfere with the opening and closing of the cage.

## REGULAR MAINTENANCE

At regular intervals dependant on individual water conditions it will be necessary to carry out the following maintenance program.




**Important:- Disconnect the mains electricity supply before attempting any maintenance work.**

### Maintenance and cleaning (see fig 1, 2 & 3 overleaf).

1. Follow these safety instructions. Make sure that the pump is disconnected from the mains supply.
2. Release the retaining catch situated under the handle of the pump.
3. Pull pump cage apart as shown in figure 2. and remove pump - Please note notch for cable in cage for relocating the cable during re-assembly.
4. Twist the rotor housing 1/4 turn anticlockwise to access rotor.
6. Remove the rotor from motor housing.
7. Clean all parts using water and soft sponge.
8. Once cleaned, reassemble the pump and place back into the cage. Make sure the cable is inserted in the cutout notch before closing the cage and reattach the catch 'A'. Ensure the pump is submerged before switching on.

## POINTS TO REMEMBER

- You must disconnect the mains electricity supply before attempting any installation or handling of any kind.
- Never run the pump out of water or without the outer casing attached, as this will damage the pump.
- Do not attempt to pull the pump out of the water by it's electrical supply cable.
- Regularly inspect the pump and cable for any signs of damage.

Spare parts for Maximus EVO	800	1500	2500	4000	6000
<b>Spare Parts</b>					
Rotor 	MER800	MER1500	MER2500	MER4000	MER6000
Fountain Kits - (Waterbell and Daisy) 	MEF800	MEF1500	MEF2500	MEF4000	MEF6000
O-Rings 		MEO1500	MEO2500	MEO4000	MEO6000



**Disposal of your old product** Your product is designed and manufactured with high quality material and components, which can be recycled and reused. When this crossed-out wheeled bin symbol is attached to a product, it means the product is covered by the European Directive 2002/976/EC. Please contact your local authority about correct disposal for electrical and electronic equipment.

Please act according to your local rules and do not dispose of your old products with your normal household waste. The correct disposal of your old product will help prevent potential negative consequences for the environment and human health.

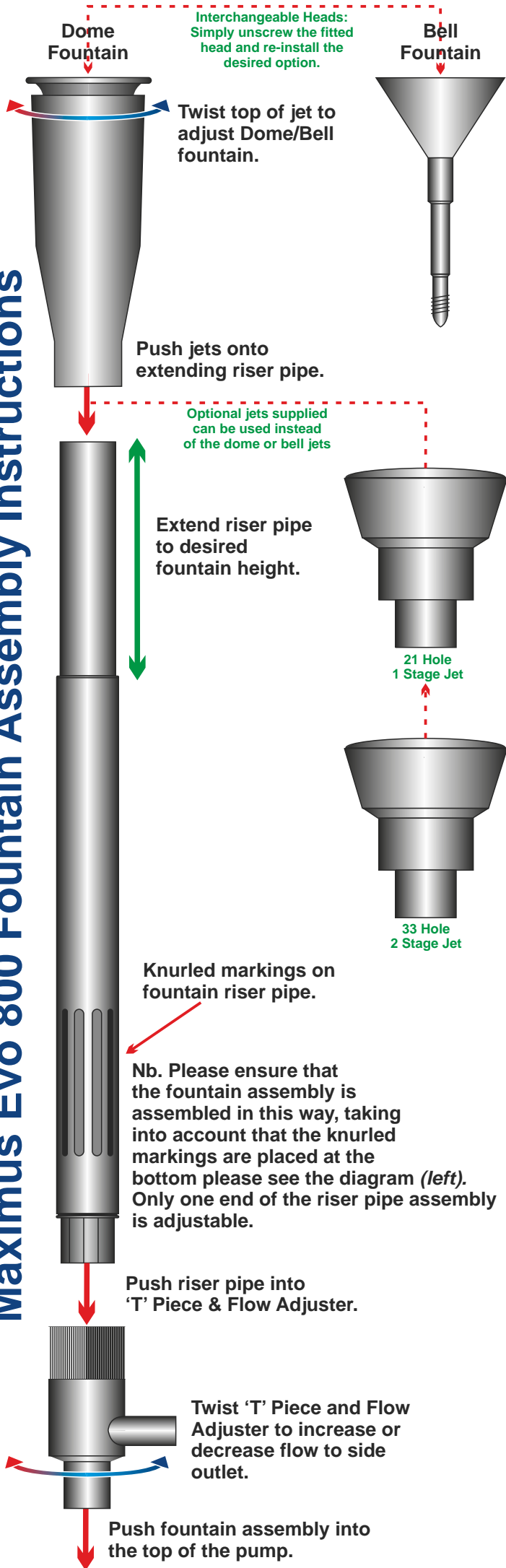
### Guarantee

Your Maximus Evo pump is guaranteed against failure due to defective workmanship or material for a period of 3 years from the date of purchase. Failure caused by accidental damage, misuse, neglect or used in liquids other than cold water are excluded from this guarantee. If a failure occurs during this period, a purchase receipt must be returned with the unit which will be repaired or replaced. The company can not accept any additional claims or consequential losses.

**THIS GUARANTEE DOES NOT AFFECT YOUR STATUTORY RIGHTS.  
THIS UNIT IS MADE IN THE E.C AND CONFORMS TO CE REGULATIONS**

Dealers Stamp:

# Maximus Evo 800 Fountain Assembly Instructions



# Maximus Evo 1500 - 6000 Fountain Assembly

