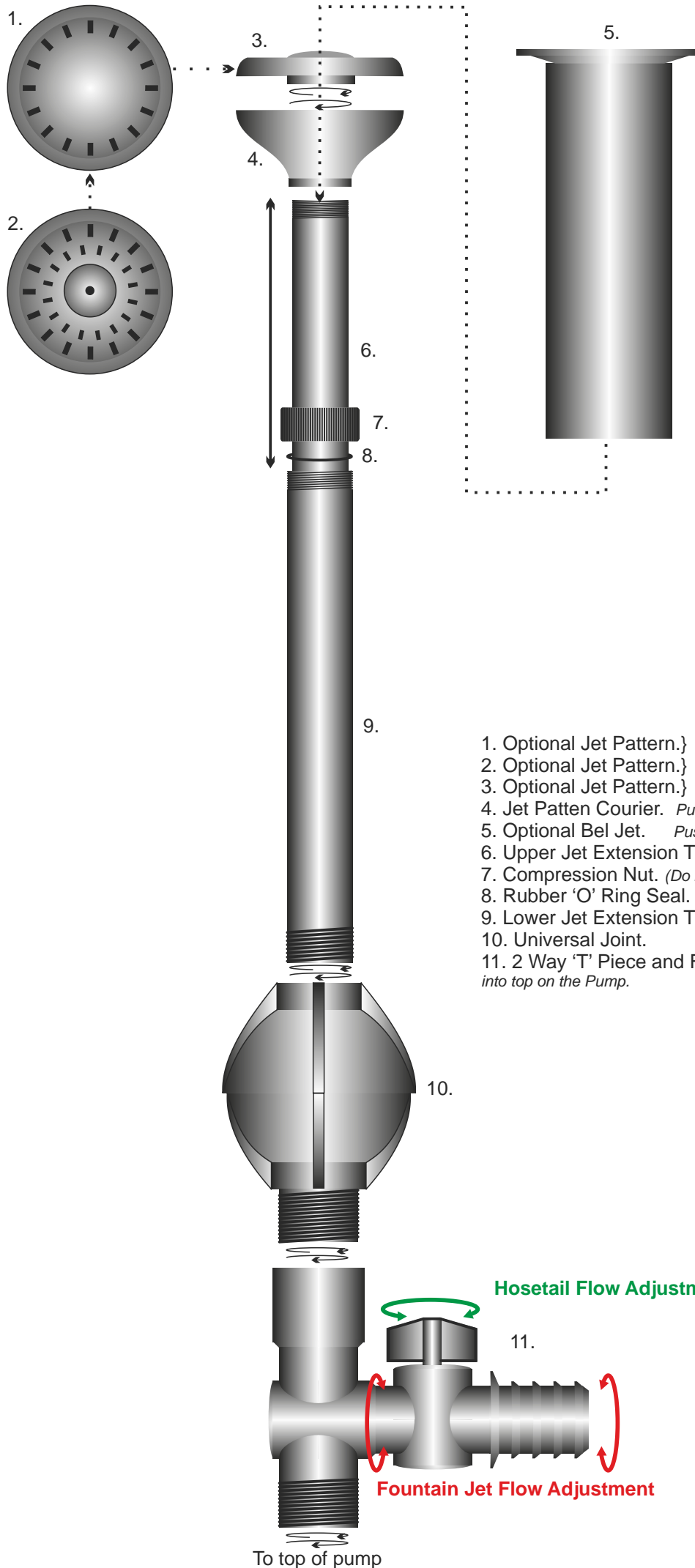


Green Genie Inpool Pump, Filter & UV - Jet Assembly Instructions.



- 1. Optional Jet Pattern.}
- 2. Optional Jet Pattern.} *Screws in to No. 4.*
- 3. Optional Jet Pattern.}
- 4. Jet Patten Courier. *Push onto top of No. 6.*
- 5. Optional Bel Jet. *Push onto top of No. 6.*
- 6. Upper Jet Extension Tube. *Adjust to height required.*
- 7. Compression Nut. *(Do not over tighten).*
- 8. Rubber 'O' Ring Seal.
- 9. Lower Jet Extension Tube.
- 10. Universal Joint.
- 11. 2 Way 'T' Piece and Flow Adjuster. *Screws directly into top on the Pump.*

Hosetail Flow Adjustment

Fountain Jet Flow Adjustment

To top of pump